

LED Flood Light

10W-200W

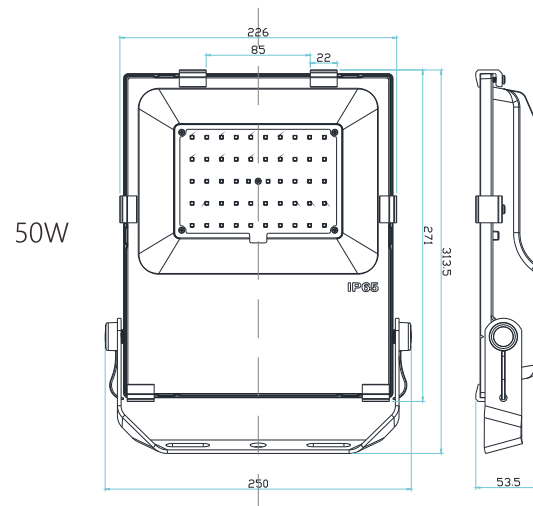
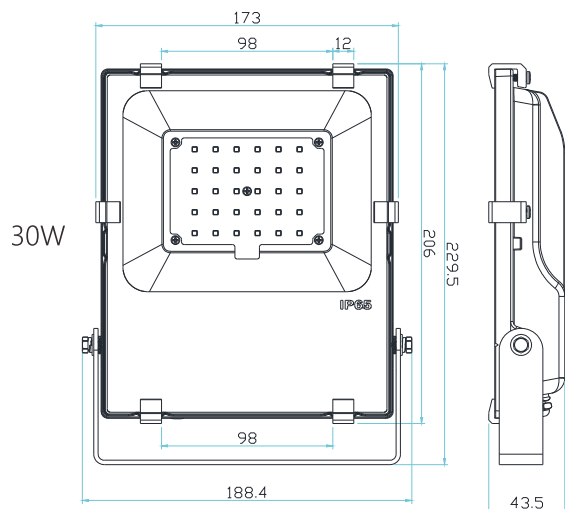
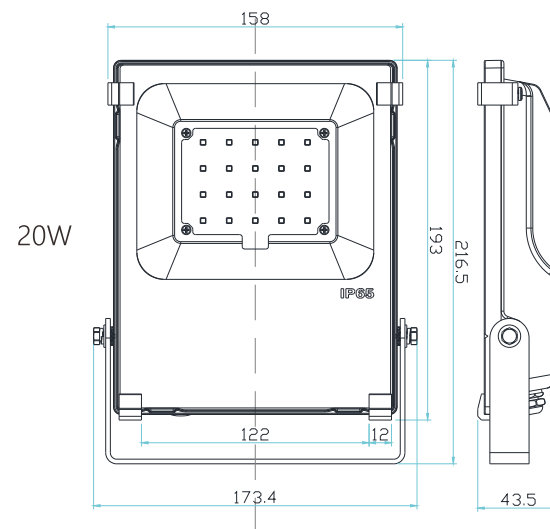
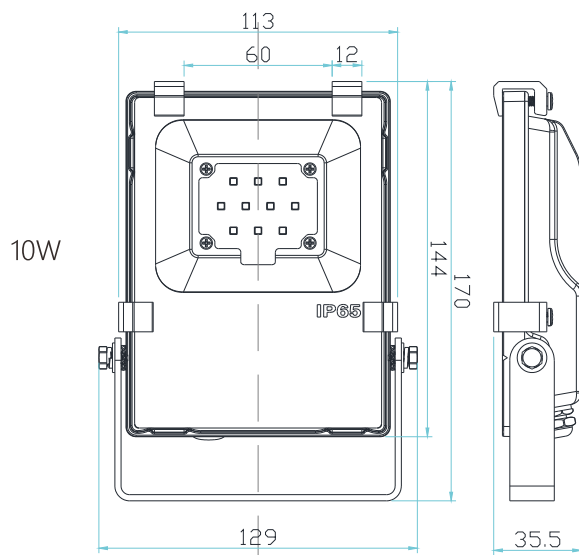
120lm/W

Advantages

- High efficiency, 120lm/W available.
- Beam angle 120°
- Integrated die-casting aluminum housing, elegant appearance
- Good heat dissipation, long lifespan
- Tempered glass, surface coating process, excellent corrosion-proof
- IP66

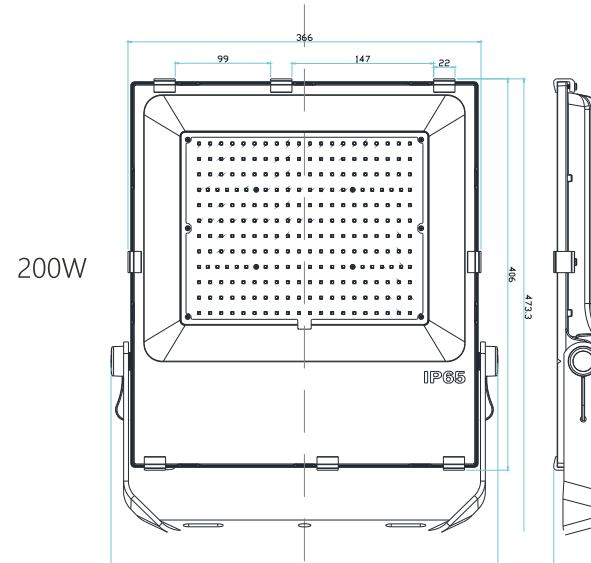
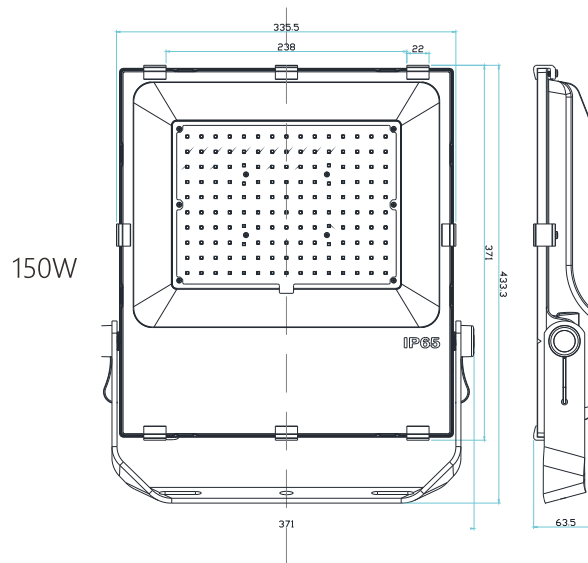
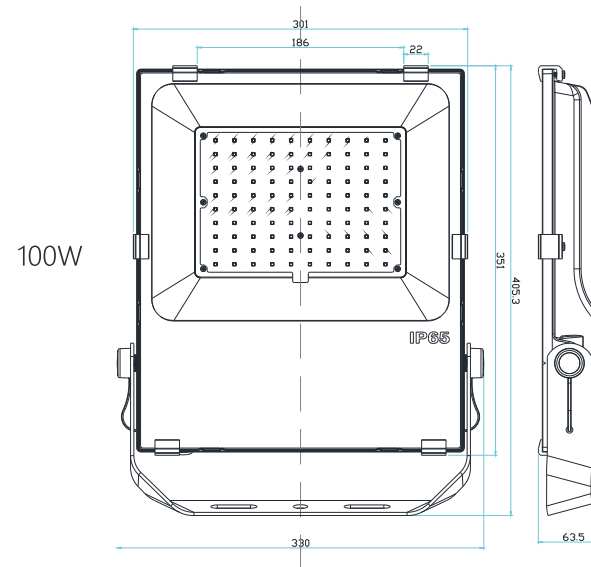
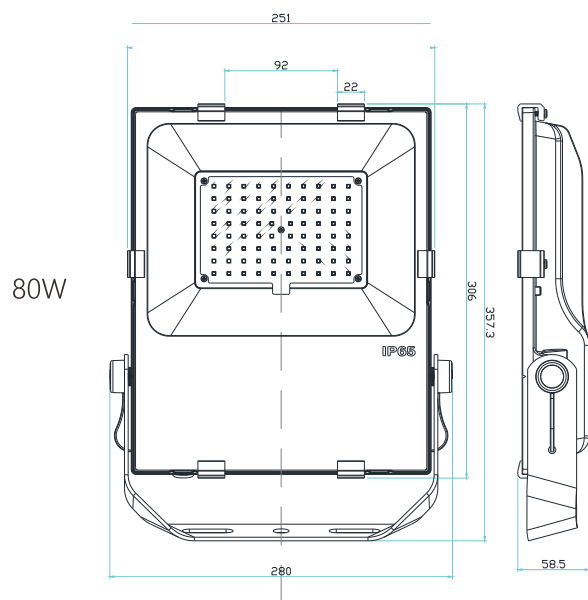


Dimension



unit: mm

Dimension



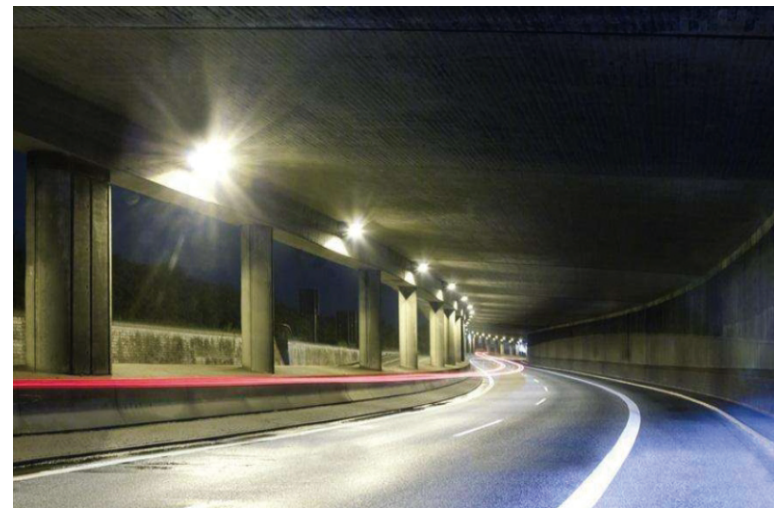
unit: mm

Application



Application

- Billboard
- Road
- Tunnel
- Bridge and culvert
- Square
- Building



A: TechnicalParameter

Item No.	SA-FL03-10W	SA-FL03-20W	SA-FL03-30W	SA-FL03-50W	SA-FL03-80W	SA-FL03-100W	SA-FL03-150W	SA-FL03-200W	
LampSize	170*129*35.5mm	216.5*173*43.5mm	229.5*188*43.5 mm	313.5*250*53.5mm	357*280*58.5 mm	405*330*63.5mm	433*371*63.5mm	473*401*63.5 mm	
Voltage	AC 100-240V 50/60Hz								
Power	10W	20W	30W	50W	80W	100W	150W	200W	
LED Type	PHILIPS 3030								
Luminous Flux	PHILIPS 3030	1200±5%	2400±5%	3600±5%	6000±5%	9600±5%	12000±5%	18000±5%	24000±5%
Color Temperature (CCT)	Warm white	2800-3500K							
	Neutral white	3800-4500K							
	Cool white	5500-6500K							
Beam Angle	120°								
Color Rendering Index (CRI)	Ra>80								
Power Supply Efficiency	>88%								
Warranty	5 Years								
LED Luminous Efficiency	120lm/W								
Power Factor (PF)	>0.9								
Total Harmonic Distortion (THD)	≤15%								
IP Rank	IP 66								
Net Weight ±0.2KG	0.7KG	1.1KG	1.3KG	2.2KG	3.5KG	4.6KG	5.8KG	6.6KG	
Certificate	CE, CB, SAA								

Technical Specification

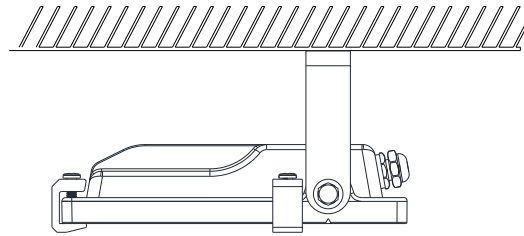
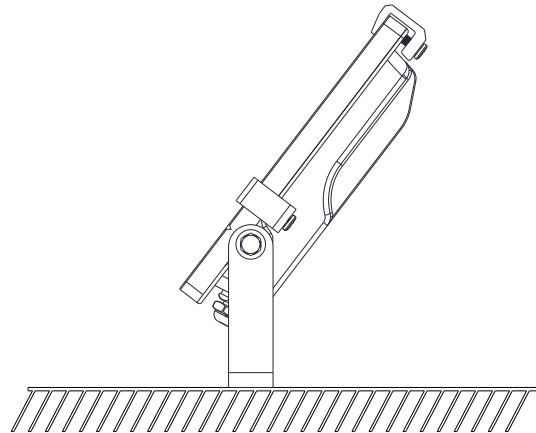
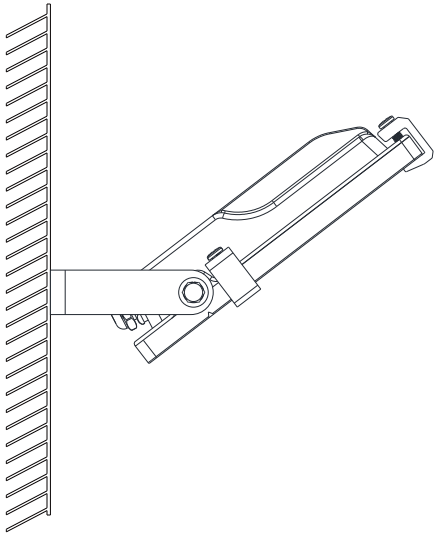
B: Mechanical Specifications

Temperature Range Operating	-20°C ~ +45°C
Humidity Range Operating	10% ~ 90%
Temperature Range Storage	-40°C ~ 70°C
Humidity Range Storage	10%~ 90%

C: Environmental

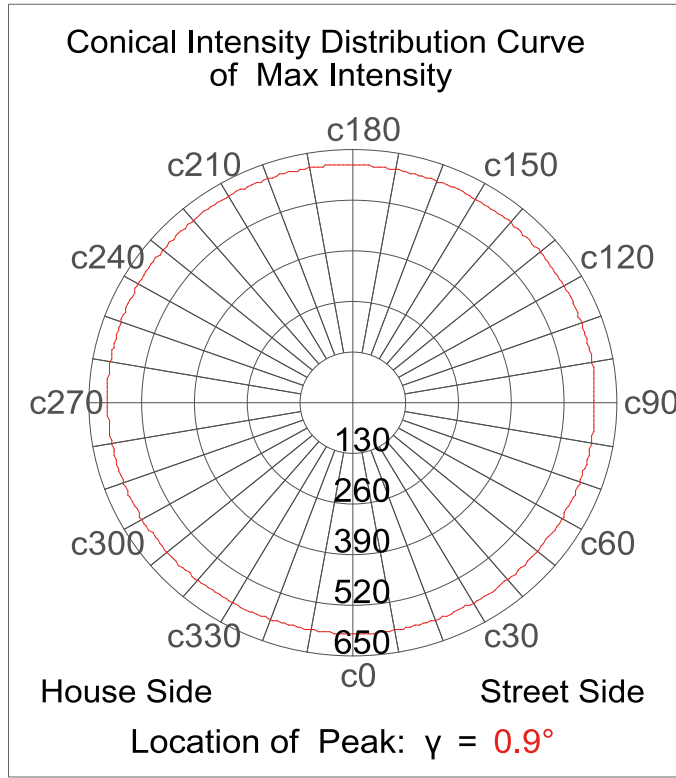
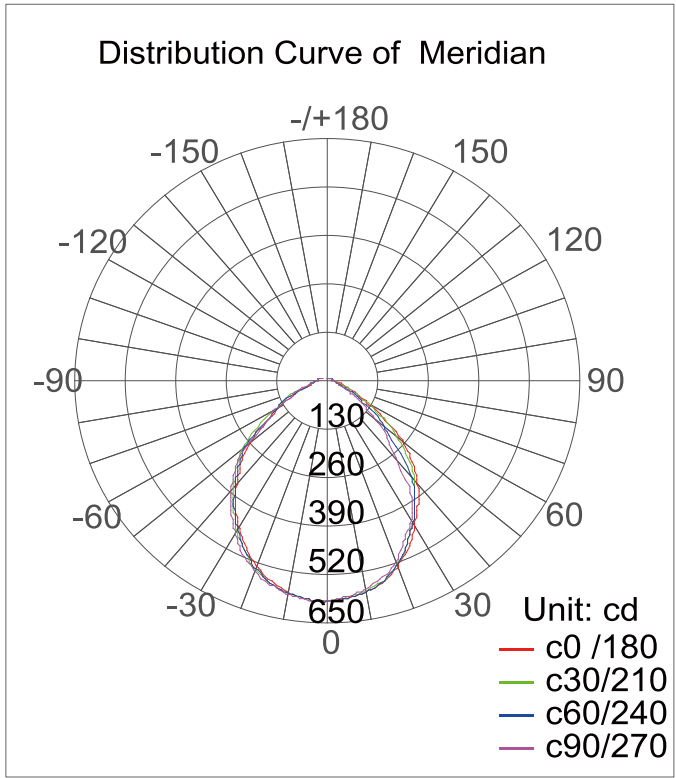
LED Driver	SOSEN/DONE/MW
Housing Processing	Die-Casting
Material	ADC12

Installation

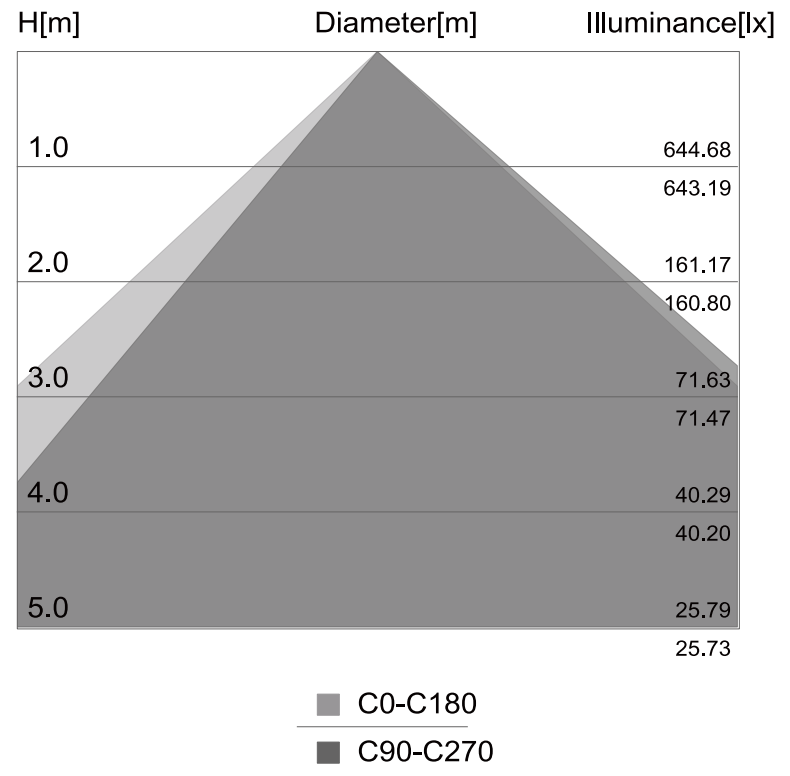


1. Fix the bracket on the wall by screws
2. Adjust the lamp body to proper orientation
3. Fix the screws that connecting the bracket and the lamp body.
4. Connect the wires. Brown wire is L, blue wire is N, and yellow-green wire is G.

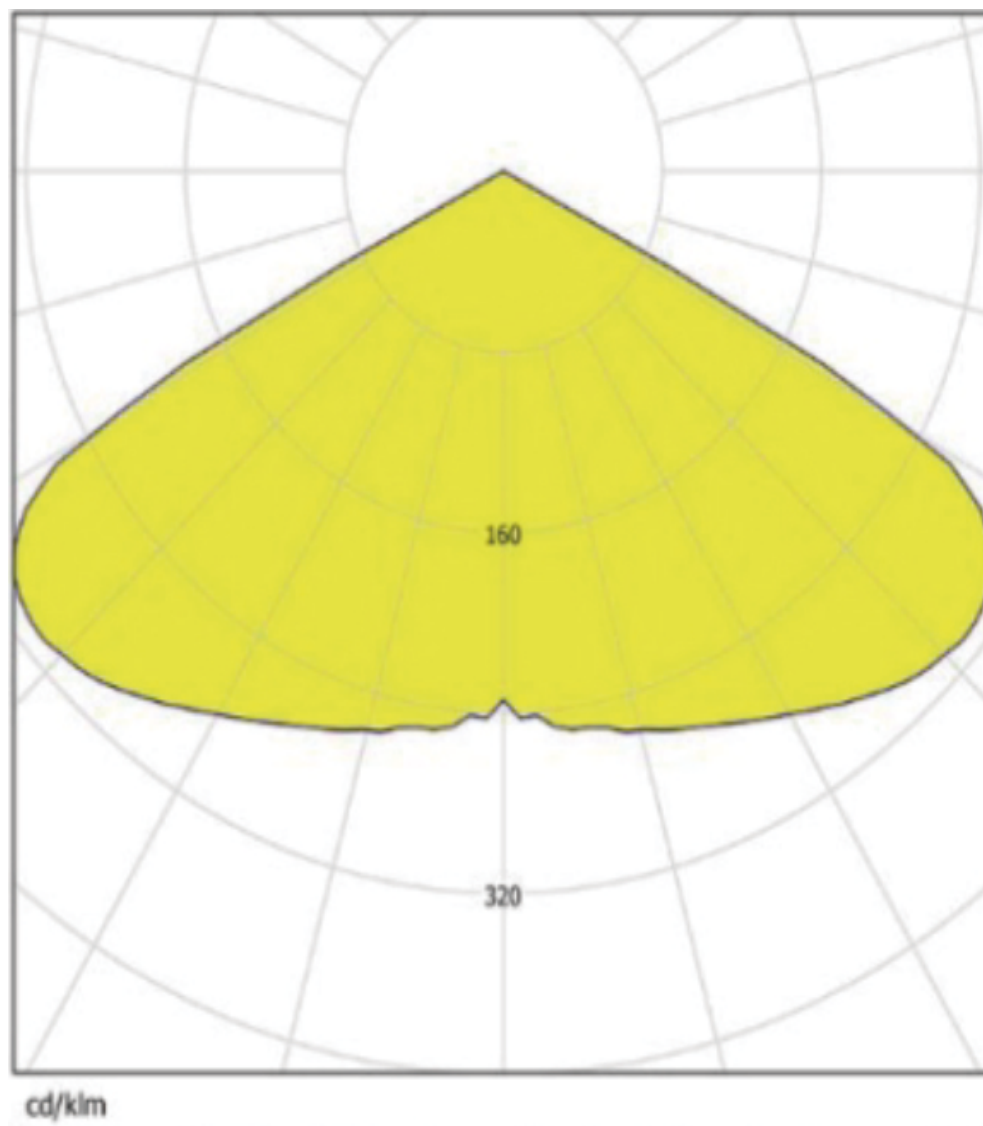
Luminous Intensity Distribution



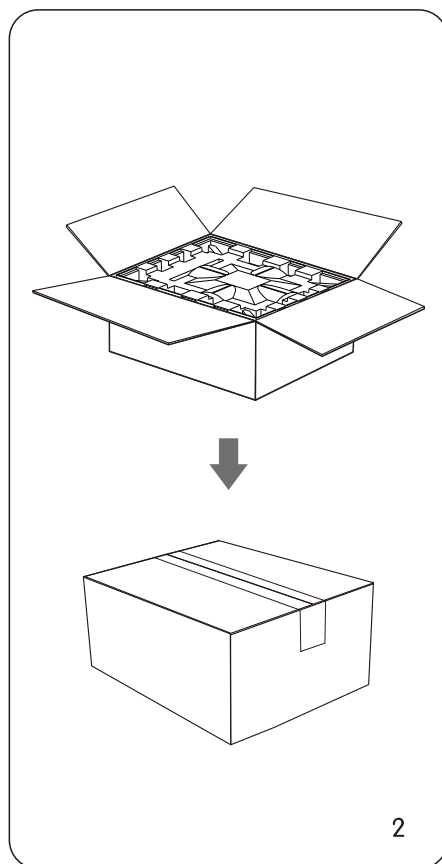
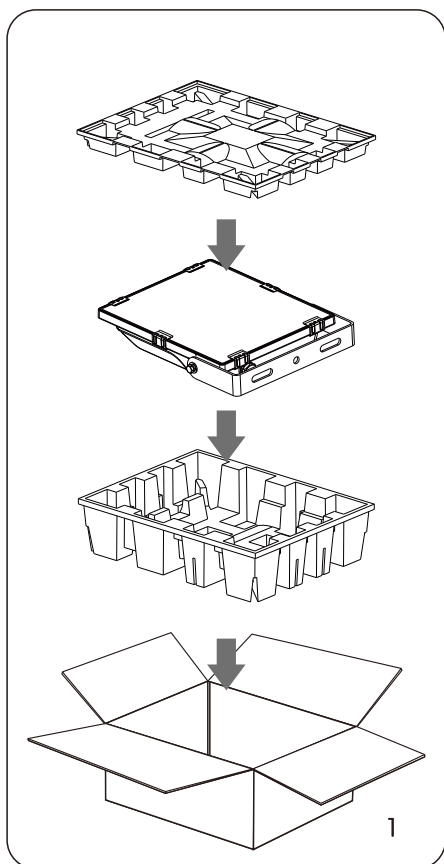
Illumination Cone Curve



Distribution Curve Flux



Packing



Item No.	Carton Size		Quantity	G.W / 1PCS ±0.2KG
SA-FL03-10W	Inner Boxes	L200*W135*H40	1PC	0.7KG
	Outer Cartons	L425*W415*H255	36PCS	25.5KG
SA-FL03-20W	Inner Boxes	L250*W180*H48	1PC	1.1KG
	Outer Cartons	L515*W380*H260	20PCS	22.5KG
SA-FL03-30W	Inner Boxes	L260*W195*H48	1PC	1.3KG
	Outer Cartons	L535*W405*H260	20PCS	26.5KG
SA-FL03-50W	Inner Boxes	L355*W255*H58	1PC	2.2KG
	Outer Cartons	L530*W365*H255	8PCS	18.4KG
SA-FL03-80W	L435*W340*H130		1PC	3.5KG
SA-FL03-100W	L510*W430*H135		1PC	4.6KG
SA-FL03-150W	L510*W430*H135		1PC	5.8KG
SA-FL03-200W	L555*W460*H135		1PC	6.6KG