

# LED Linear High Bay

LHB05 40W-300W

# 200LM/W

## SPECIFICATIONS



## 5 Years Warranty

CE RoHS



# Specification

Power	40W	50W	60W	80W	100W	120W	150W	180W	200W	240W	250W	300W
PF	>0.95											
Input Voltage (V)	100-277VAC											
CRI	Ra70											
Efficacy (lm/W)±5%	200											
Lumen output±5%	8000	10000	12000	18000	20000	24000	30000	36000	40000	48000	50000	60000
CCT (K)	3000K/3500K/4000K/4500K/5000K/5700K											
Dimming	Non-Dimming/0-10V Dimming											
Intelligent Control	Motion Sensor/Daylight/PIR sensor											
Beam angle	60°/90°/120°/Asymetric15°											
Material	Body Aluminum+ PC Lens											
Operating Temperature	-40°C to 50°C											
Humidity	10% - 90%											
Installation	Bracket Mounted/Suspended Mounted											
LED Type	2835											
Power Supply	Moso/Sosen/Philips/Mean Well											
Surge Protection	4kV line-line, 6kV line-earth											
Certification	CE/RoHS											
IP Rate	IP65											
Warranty	5 Years											

SA-LHBA00-XXXY-XXX-E-Z[XX]

SA-LHB	A00	XXX	Y	XXXX	A	Z	XX
Series	Voltage	Power	CCT	Lens	Versions Driver	Driver manufacturer	Mounting
SA-UFO	100-277V	40W 50W 60W 80W 100W 120W 150W 180W 200W 240W 250W 300W	N 3000K M 3500K L 4000K K 4500K C 5000K H 5700K	D060 Lens 60° D090 Lens 90° D120 Lens 120° D215 Lens Asymetric 15°	"A" The five generation	MS=Moso SS=Sosen PH=Philips MW=Mean Well	BM= Bracket Mounted SM= Suspended Mounted

**Description:**

Model name description: SA-LHBA00-100Y-XXX-E-A.

"SA" indicates the name of company producing the product;

"LHB" indicates the product is a LED Linear High Bay;

"A00" indicates the voltage of the product is 100-277VAC;

"100" indicates the power of the product;

"Y" indicates the colour temperature of the product ;

Where the "Y" can be N=3000K, M=3500K, L=4000K, K=4500K, C=5000K, H=5700K represents color temperature ;

Where XXXX represent light angle, it can be D060,D090,D120,Asymetric15°;

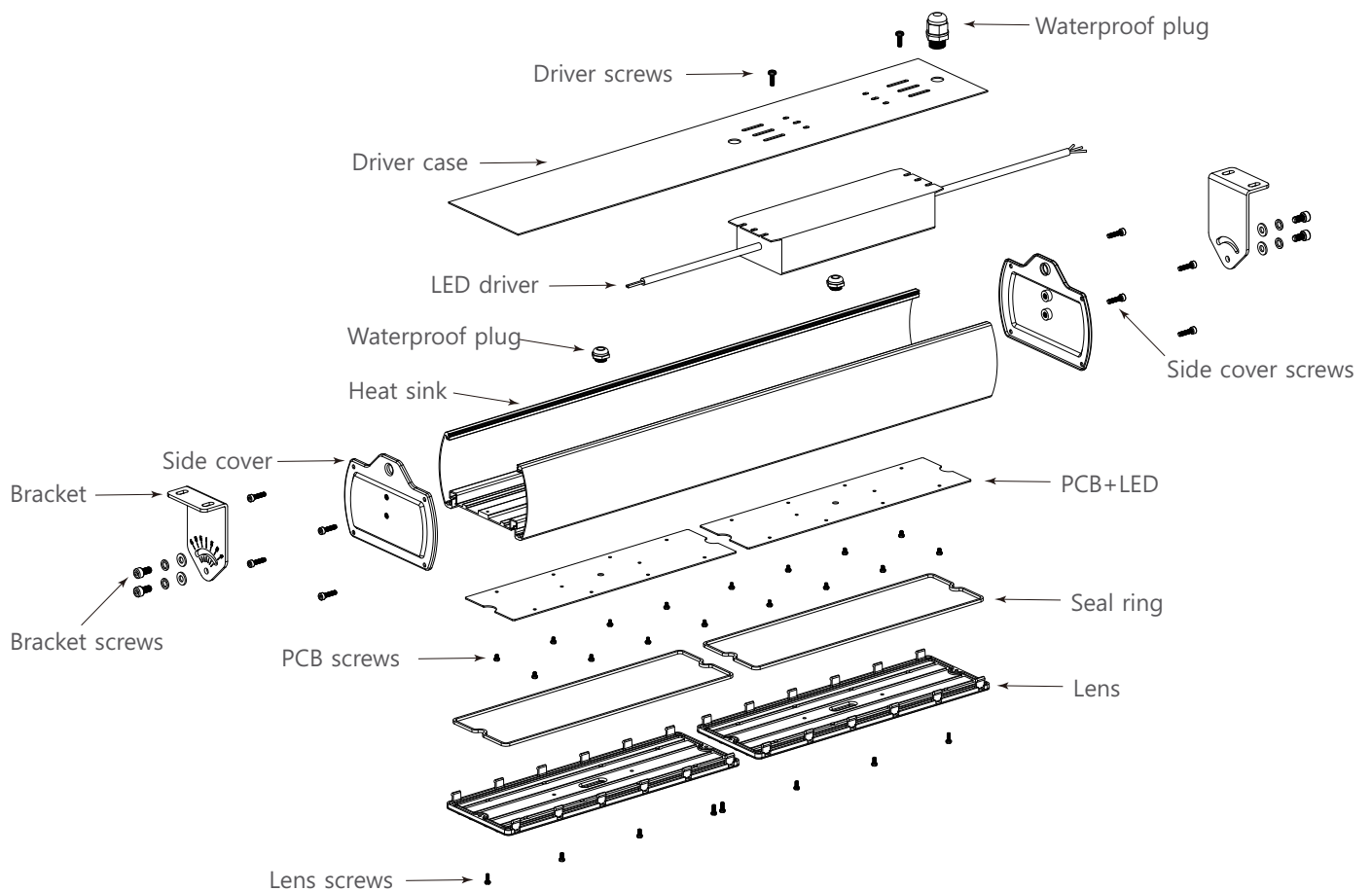
"A" indicates the shape size;

"Z" indicates the driver manufacturer, MS indicates Moso driver manufacturer.

# Structure Performance

Dimension: LxHxW(mm)	L372.4/674.4/976.4/1278.4/1580.4xW142.8xH123.4
Housing:	Aluminum
Cover:	PC
Cable Length:	300mm
IP Rate:	IP65
IK Rate:	IK10

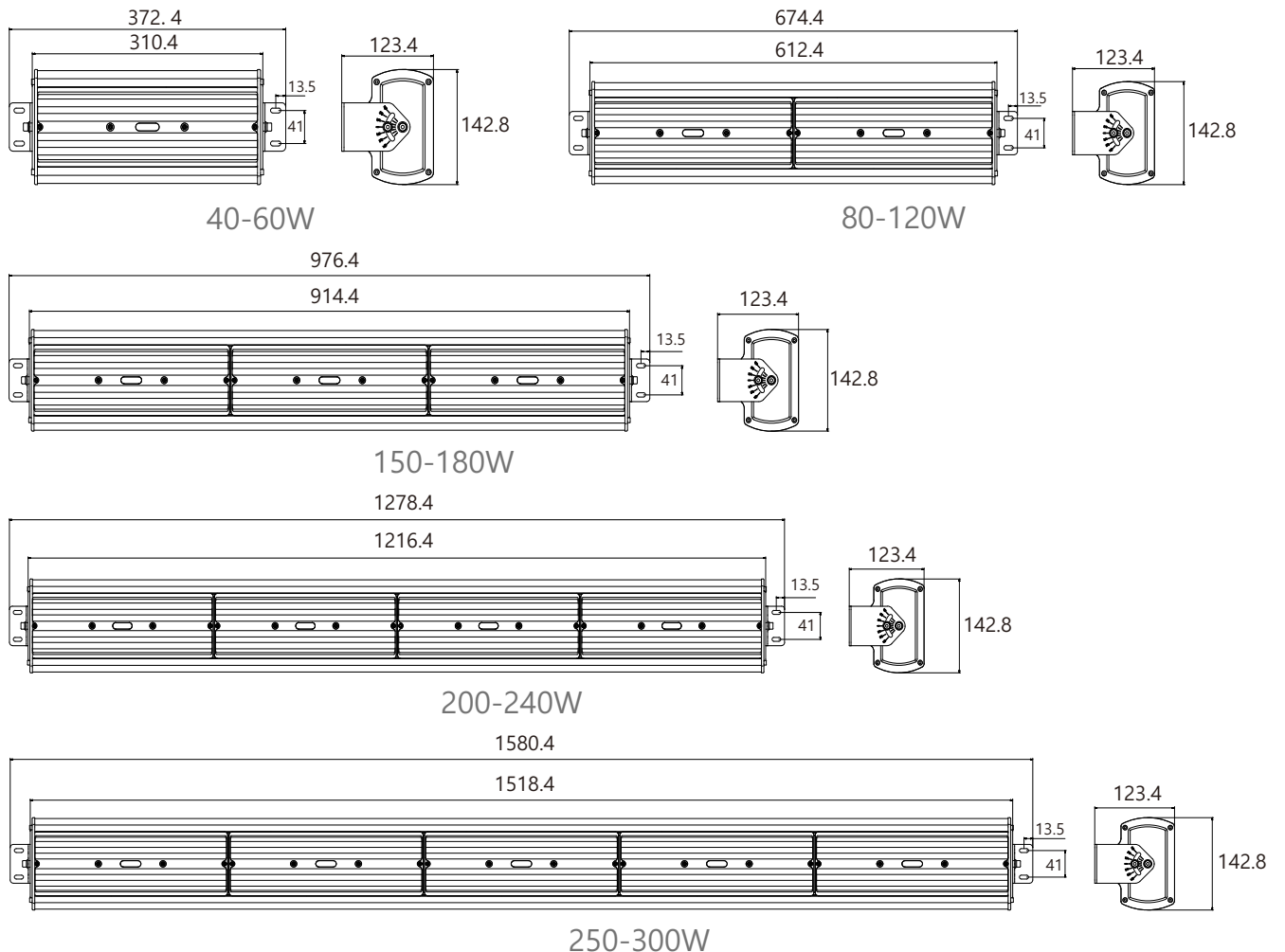
## Structure drawing



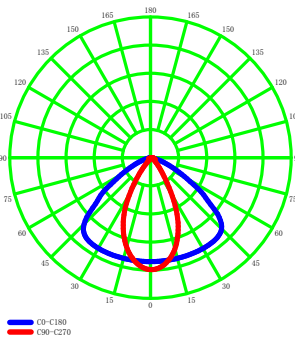
# Packing

Model No.	Power	Size(mm)	Carton Size(mm)	G.W/1PCS±0.2KG
SA-LHBA00-40Y-XXXX-A	40W	L372.4xW142.8xH123.4	L385xW170xH150	2.2KG
SA-LHBA00-50Y-XXXX-A	50W	L372.4xW142.8xH123.4	L385xW170xH150	2.2KG
SA-LHBA00-60Y-XXXX-A	60W	L372.4xW142.8xH123.4	L385xW170xH150	2.2KG
SA-LHBA00-80Y-XXXX-A	80W	L674.4xW142.8xH123.4	L690xW170xH150	3.4KG
SA-LHBA00-100Y-XXXX-A	100W	L674.4xW142.8xH123.4	L690xW170xH150	3.4KG
SA-LHBA00-120Y-XXXX-A	120W	L674.4xW142.8xH123.4	L690xW170xH150	3.4KG
SA-LHBA00-150Y-XXXX-A	150W	L976.4xW142.8xH123.4	L990xW170xH150	4.5KG
SA-LHBA00-180Y-XXXX-A	180W	L976.4xW142.8xH123.4	L990xW170xH150	4.5KG
SA-LHBA00-200Y-XXXX-A	200W	L1278.4xW142.8xH123.4	L1290xW170xH150	5.8KG
SA-LHBA00-240Y-XXXX-A	240W	L1278.4xW142.8xH123.4	L1290xW170xH150	5.8KG
SA-LHBA00-250Y-XXXX-A	250W	L1580.4xW142.8xH123.4	L1590xW170xH150	7.2KG
SA-LHBA00-300Y-XXXX-A	300W	L1580.4xW142.8xH123.4	L1590xW170xH150	7.2KG

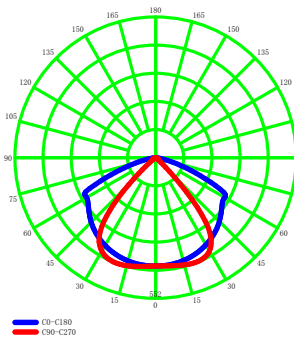
# Dimensions



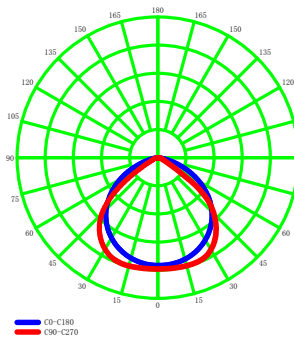
# Beam angle



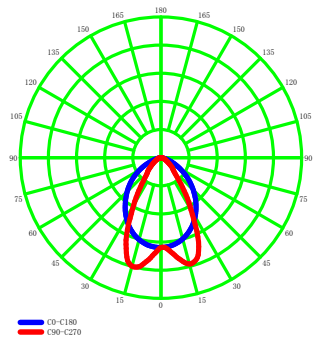
60x120°



90x120°



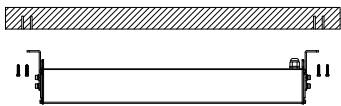
120°



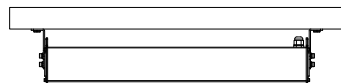
Asymmetric 15°

## Installation

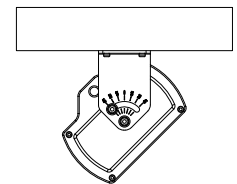
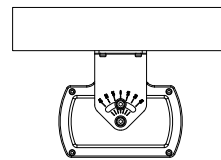
### 1-Bracket mounted



1. Mount the bracket to the ceiling.



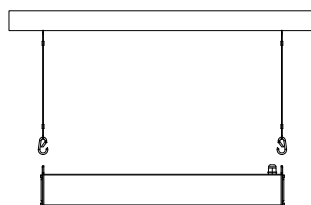
2. Adjustable angle: -45-0-+45°



### 2-Suspended mounted



1. Mount the suspension cables to the ceiling.



2. Attach the lights to the suspension cables.

