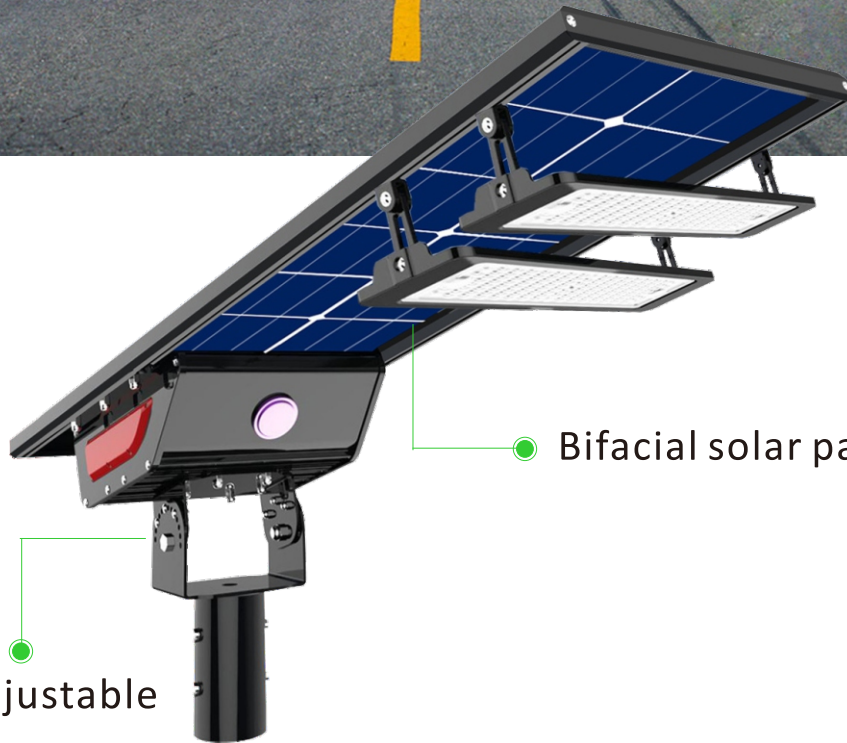


# LED Solar Street Light

# 170lm/w

C Series 30W-100W

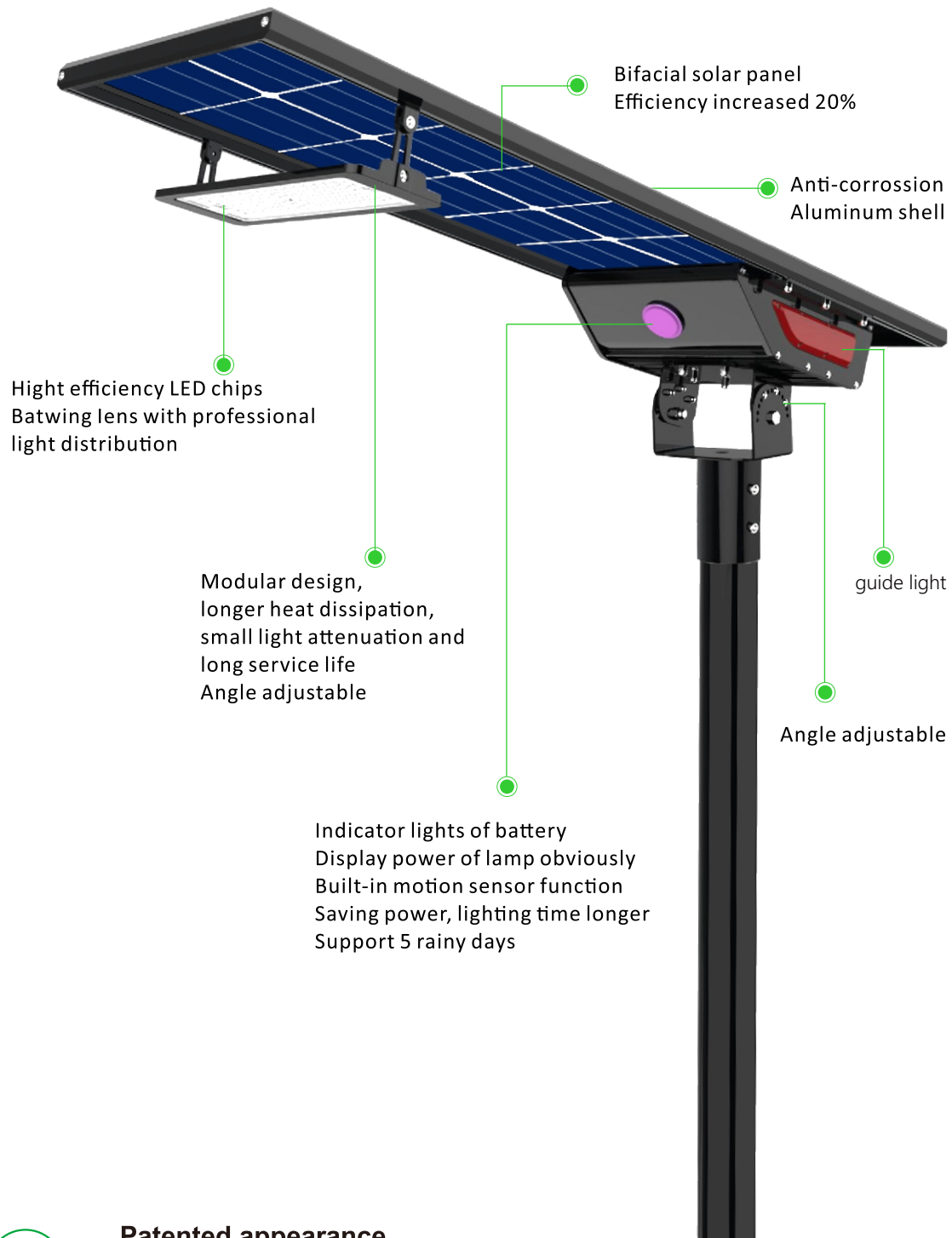


Angle adjustable

Bifacial solar panel

**5 Years Warranty**  
**CE RoHS**

Product Advantage



**Patented appearance**

Integrated design of solar panel, microcomputer controller, lithium battery and high-efficiency LED light source



**Indicator lights of battery capacity**

Indicator lights of battery capacity display the power of the lamp obviously, which is convenient to observe the charging and discharging of the lamp



**Rotating angle design**

The illumination area and angle of light can be adjusted reasonably according to the width of the road

## Specification

PV Power	45W*2/18V	60W*2/18V	60W*2/18V	90W*2/18V	100W*2/18V	105W*2/18V
LED Power	30W	40W	50W	60W	80W	100W
CRI	70	70	70	70	70	70
Lumen Output±5%	5100	6800	8500	10200	13600	17000
CCT (K)	3000K/3500K/4000K/4500K/5000K/5700K					
LiFePO <sub>4</sub> Battery	192WH	240WH	280WH	460WH	537WH	672WH
Install height	7~10M					
Installation spacing	20~40M					
Control Mode	Motion sensor					
Operating Temperature	-20°C~60°C					
Lighting time	5~7 rainy days					
Charging time	6-8 hours by bright sunlight					
Beam Angle	TYPE II					
Humidity	10%~90%					
Installation	POLE-Φ60/76					
LED Type	3030					
Certification	CE / RoHS					
IP Rate	IP65					
Warranty	5 Years					

## Packing

Model No.	Power	Size (mm)	Carton Size (mm)	G.W / 1PCS±0.2KG
SA-SST-30Y-XX-C	30W	691*370*235mm	730*390*200mm	12.5KG
SA-SST-40Y-XX-C	40W	811*370*235mm	850*390*200mm	13.5KG
SA-SST-50Y-XX-C	50W	1010*370*235mm	1050*390*200mm	14.5KG
SA-SST-60Y-XX-C	60W	1306*370*235mm	1350*390*200mm	17KG
SA-SST-80Y-XX-C	80W	1556*370*235mm	1600*390*200mm	19KG
SA-SST-100Y-XX-C	100W	1686*370*235mm	1730*390*200mm	20KG

## Description:

Model name description: SA-SST-30Y-XX-C

“SA” indicates the name of company producing the product;

“SST” indicates the product is a LED Solar Street Light;

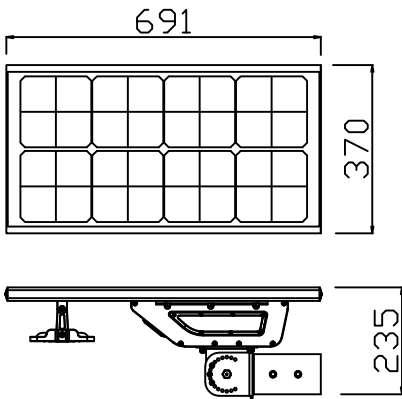
“30” indicates the power of the product, it can be 30, 40, 50, 60, 80, 100W;

“Y” indicates the colour temperature of the product. “Y” can be N=3000K, M=3500K, L=4000K, K=4500K, C=5000K, H=5700K  
represents color temperature;

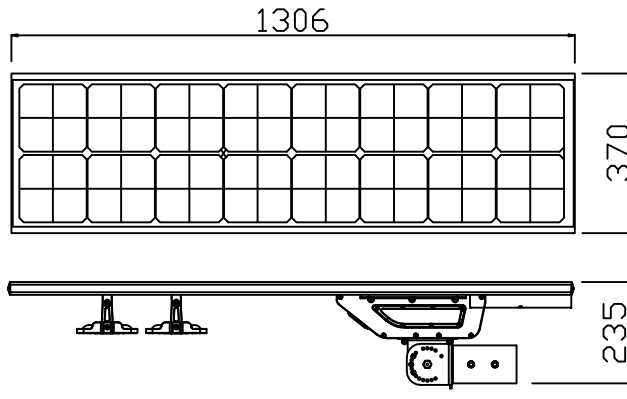
Where “XX” represent light angle, it can be TI, TII, TIII, TIV, TV;

“C” indicates the shape size.

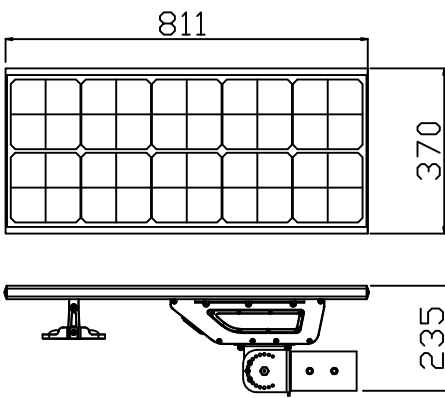
Dimensions



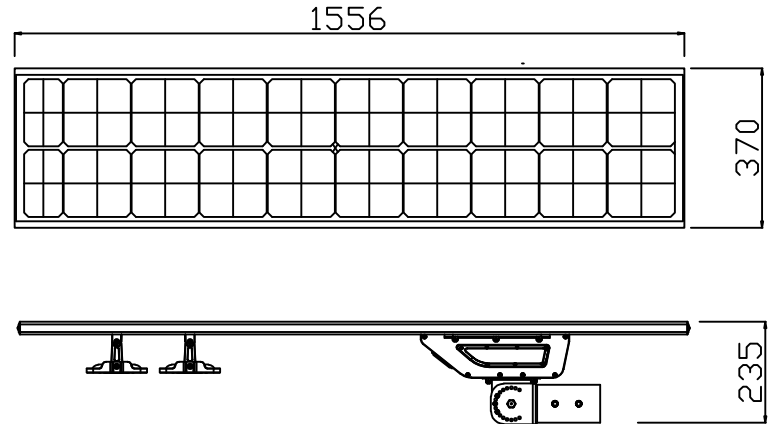
30W



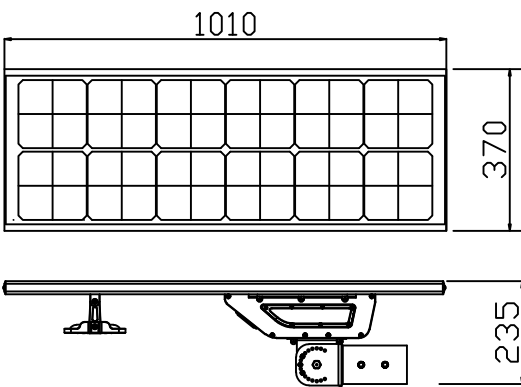
40W



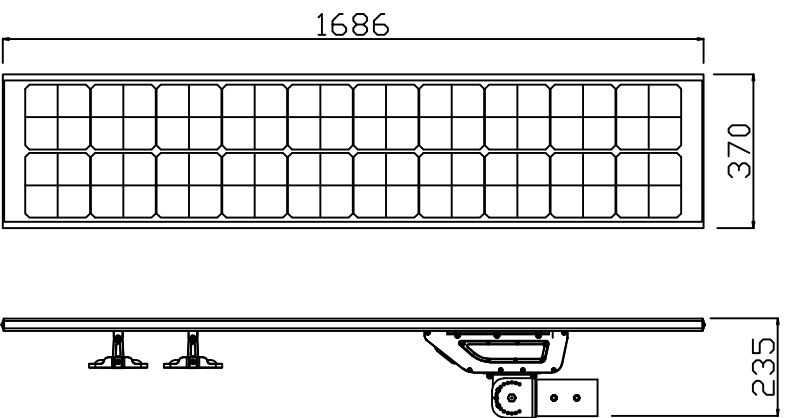
50W



60W



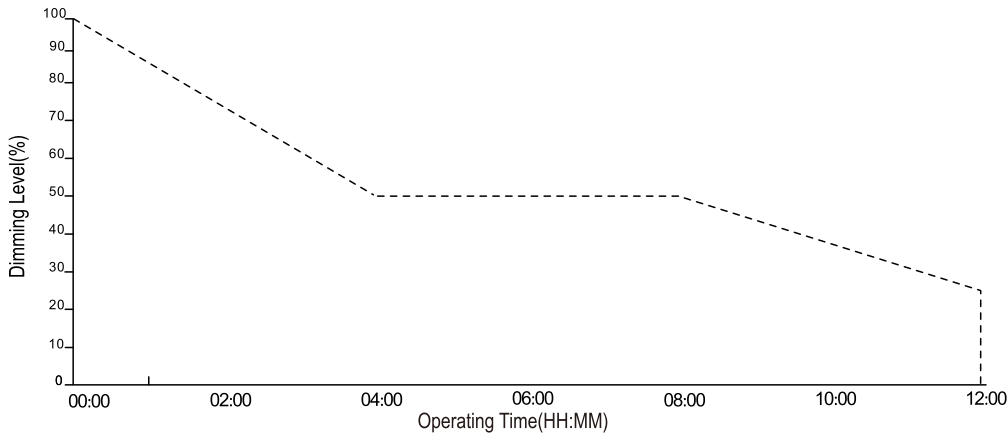
80W



100W

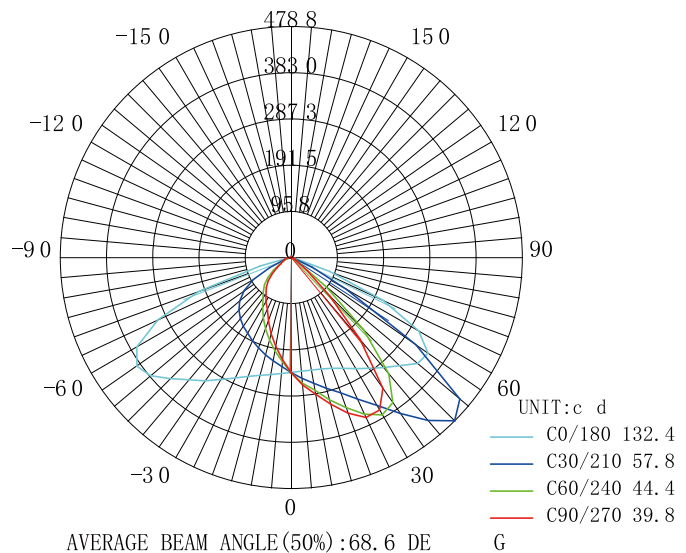
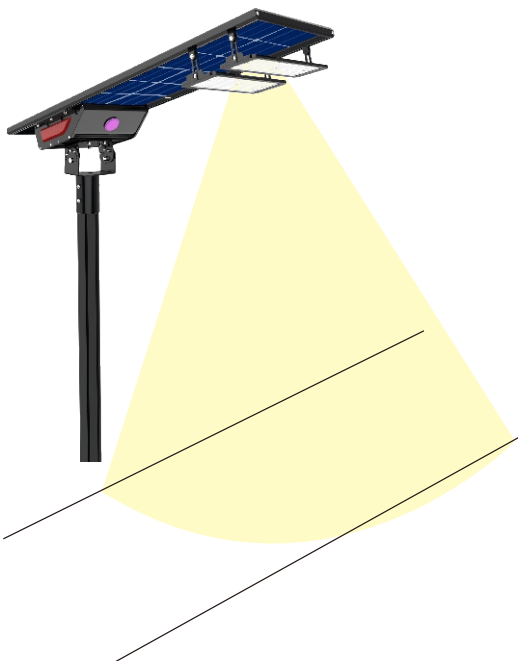
Working Mode

solar-powered street lamp provides the adaptive proportion dimming profile for the output constant current level to perform up to 12 consecutive hours.



The light is on for 12 hours every day. In the first four hours, the power decreases gradually. In the second four hours, the power is maintained at 50%, and in the third four hours, the power is maintained at 25%

Beam angle



Application

