

LED Street Light

170LM/W



Street Light G Series

5 Years Warranty

CE RoHS



Specification

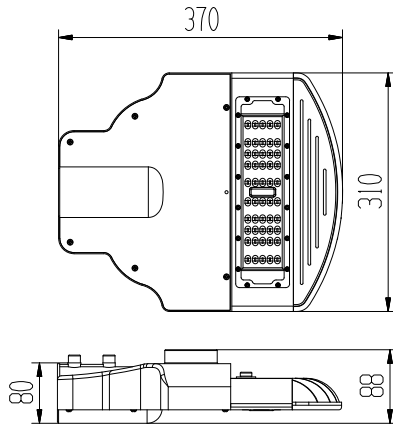
Model	30W	50W	70W	90W	150W	200W	240W
PF	>0.95						
Input Voltage(V)	100-240VAC						
CRI	Ra70	Ra70	Ra70	Ra70	Ra70	Ra70	Ra70
Efficacy (lm/W)±5%	170	170	170	170	170	170	170
Lumen Output±5%	5100	8500	11900	15300	25500	34000	40800
CCT (K)	3000K / 3500K / 4000K / 4500K / 5000K / 5700K						
Dimming	Non-Dimming (Default) / 1-10V Dimming						
Intelligent Control	Optional(Photo cell zigbee Lora)						
Beam Angle	TYPE II / TYPE III						
Material	Die-Cast + PC Lens						
Operating Temperature	-40°C ~ 45°C						
Humidity	10%~90%						
Installation	POLE - Φ60						
LED Type	3030/5050						
Power Supply	Meanwell/Sosen						
Surge Protection	4kV line-line, 6kV line-earth						
Certification	CE / RoHS						
IP Rate	IP65						
Warranty	5 Years						

Packing

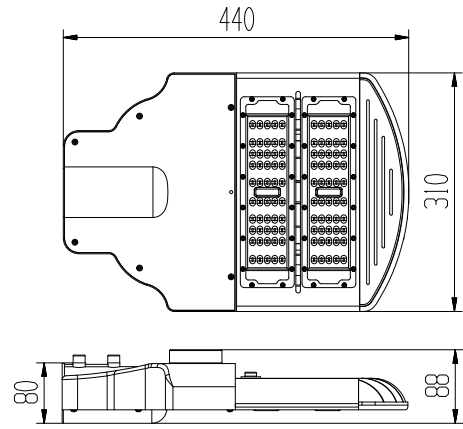
Model No.	Power	Size (mm)	Carton Size (mm)	G.W / 1PCS±0.2KG
SA-STA00-30Y-XX-D	30W	L370(14.56in)*W310(12.2in)*H106(4.17in.)	L425*W365*H150	2.75
SA-STA00-50Y-XX-D	50W	L370(14.56in)*W310(12.2in)*H106(4.17in.)	L425*W365*H150	2.75
SA-STA00-70Y-XX-D	70W	L440(17.32in)*W310(12.2in)*H106(4.17in.)	L495*W365*H150	4.35
SA-STA00-90Y-XX-D	90W	L440(17.32in)*W310(12.2in)*H106(4.17in.)	L495*W365*H150	4.35
SA-STA00-150Y-XX-D	150W	L520(20.47in)*W310(12.2in)*H106(4.17in.)	L565*W365*H150	5.30
SA-STA00-200Y-XX-D	200W	L600(23.62in)*W310(12.2in)*H106(4.17in.)	L660*W380*H190	5.80
SA-STA00-240Y-XX-D	240W	L670(26.38in.)*W310(12.2in)*H106(4.17in.)	L720*W380*H190	6.60

Description:

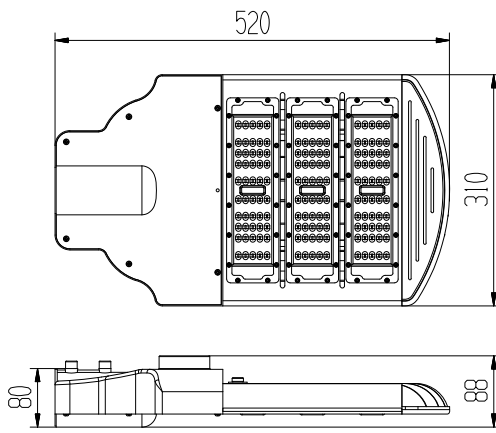
Model name description: SA-STA00-30Y-XX-D
 "SL" indicates the name of company producing the product;
 "ST" indicates the product is a LED Street Light;
 "A00" indicates the voltage of the product;
 "30" indicates the power of the product,it can be 50,70,90,150,200,240;
 "Y" indicates the colour temperature of the product. "Y" can be
 N=3000K,M=3500K,L=4000K,K=4500K,C=5000K,H=5700K represents color temperature;
 Where "XX" represent light angle, it can be T I,T II,T III,T IV,T V;
 "G" indicates the shape size.



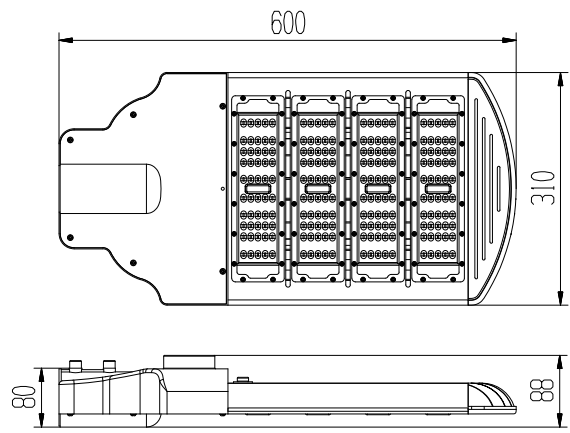
30-50W



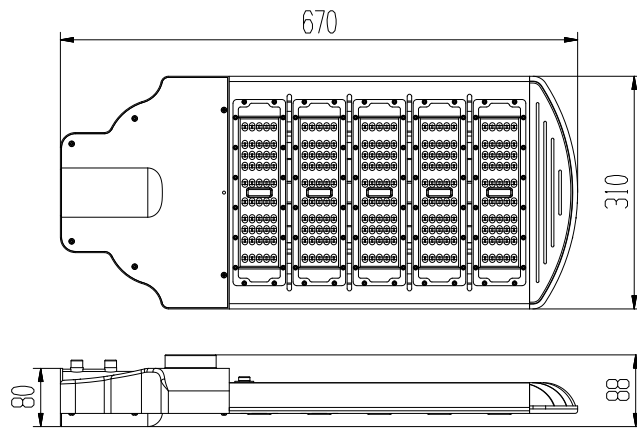
70-90W



150W



200W



240W

StructurePerformance

Housing:	Die-Cast
Cover:	PC Lens
Cable Length:	400mm
IP Rate:	IP 65
IK Rate:	IK 10

Light Efficiency up to 170lm/W

Street Light G Series can save 90% energy with its high efficacy, compared with other lighting fixture with the same watt , which makes it to be a high standard luminaire in the market.

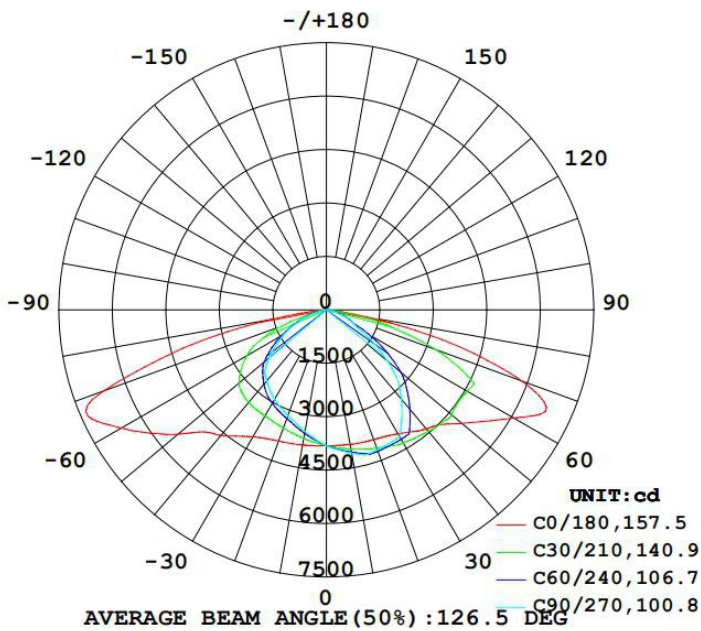
IP65 & IK10

Photocell

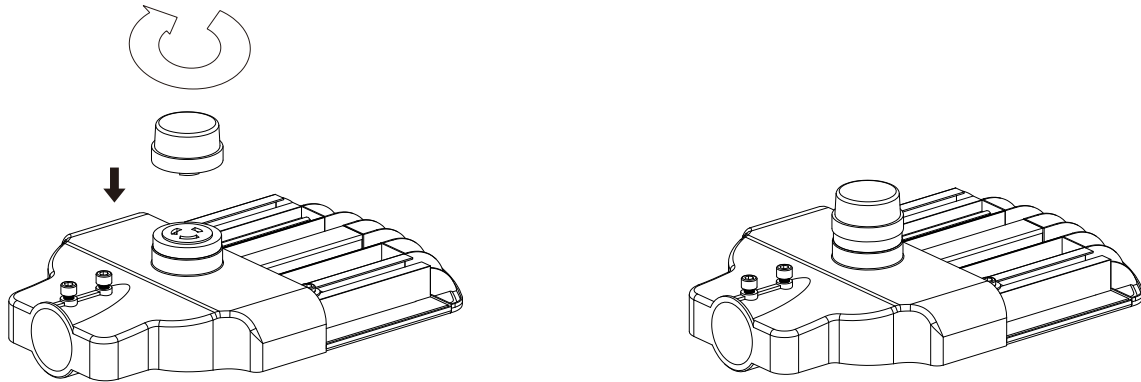
The light operating depends on the ambient luminance. When it is dark or dawn, it will lighten with a suitable luminance automatically.



Beam angle



Daylight sensor



Day-Night Automatic Street Light with Photocontrol

- Turn-On Light Level: 10 Lux or at customer's request
- Turn-Off Light Level: 30 Lux or at customer's request

Smart City Road Lighting Lora/Zigbee Control System

- Measuring Current, Voltage, Power; Power Consumption detection function;
- One way switch and 0~10V dimming signal output;
- Monitor the working status of lamps and lanterns, anomaly outputs alarm;
- Single lamp custom group control;
- Local timing, latitude and longitude control functions;
- Over-current protection, lamps condition detection and default lighting functions;
- Overload protection design for ensuring security;



Regular Safety Test

Test Item	Structure Classification	Testing Conditions	Testing parameters	Testing Time	Limiting Value
Hipot test	▪ Class I	input-shell	1000+2U (AC)	1min	10mA Max.
	▫ Class II	input-shell	2000+4U (AC)	1min	10mA Max.
	▫ Class III	input-shell	500Vac	1min	10mA Max.
Insulation Resistance	▪ Class I	input-shell	500Vdc	1min	2MΩ Min.
	▫ Class II	input-shell	500Vdc	1min	4MΩ Min.
	▫ Class III	input-shell	100Vdc	1min	1MΩ Min.
Leakage Current	▪ Class I	input-shell	220V/50Hz	10S	0.5mA Max.
	▫ Class II	input-shell	220V/50Hz	10S	1.0mA Max.
Ground Resistance	▪ Class I	Grounding wirmetal shell	10A	1min	500mΩ Max.

Product Certification

Certification Categories	Conform to the standard specification	Meet Certified	Certified
CE	EN60598-1; EN60598-2-1; EN62493; EN55015; EN61000-3-2; EN61000-3-3; EN61547; EN62471	√	√
SAA	IEC60598-2-1:1979(First Edition)+A1:1987 used in conjunction With IEC60598-1:2014(Eighth Edition)		
RoHS	2011/65/EU directive (RoHS 2.0)		
Energy Star	ENERGY STAR® Program Requirements Product Specification for Luminaires (Light Fixtures) Eligibility Criteria Version 2.0		