

LED Street Light

Street Light A Series 20W-240W

180-190lm/w



- Saving **70%** energy compared to high pressure sodium lamp.

30W 180LM/W LED Street Light to replace 100W HPS

70W 185LM/W LED Street Light to replace 250W HPS

- 185lm/W LED street light saves **30%** energy compared to 130lm/W LED street light.

5 Years Warranty



CB CE RoHS



Specification

Power	20W	30W	40W	50W	60W	65W
Input Voltage (V)	100-240VAC					
PF	>0.95					
CRI	70	80	70	80	70	80
Efficacy (lm/W)±5%	180	170	180	170	180	170
Lumen Output±5%	3600	3400	5400	5100	7200	6800
CCT (K)	3000K/3500K/4000K/4500K/5000K/5700K					
Dimming	Non-Dimming/1-10V Dimming					
Socket	ZHAGA/NEMA 7-pin (optional)					
Beam Angle	TYPE II					
Material	Die-Cast + PC					
Operating Temperature	-40°C~45°C					
Humidity	10%~90%					
Installation	POLE - Φ60					
LED Type	5050					
Power Supply	SOSEN					
Surge Protection	4kV line-line, 6kV line-earth					
Certification	ENEC/CB/CE / RoHS					
IP Rate	IP65					
Warranty	5 Years					

Packing

Model No.	Power	Size (mm)	Carton Size (mm)	G.W / 1PCS±0.2KG
SA-STA00-20Y-XX-A	20W	L514*W195*H77mm	L555*W230*H130mm	3.2KG
SA-STA00-30Y-XX-A	30W	L514*W195*H77mm	L555*W230*H130mm	3.2KG
SA-STA00-40Y-XX-A	40W	L514*W195*H77mm	L555*W230*H130mm	3.5KG
SA-STA00-50Y-XX-A	50W	L514*W195*H77mm	L555*W230*H130mm	3.5KG
SA-STA00-60Y-XX-A	60W	L514*W195*H77mm	L555*W230*H130mm	3.6KG
SA-STA00-65Y-XX-A	65W	L514*W195*H77mm	L555*W230*H130mm	3.6KG

Description:

Model name description: SA-STA00-20Y-XX-A

“SA” indicates the name of company producing the product;

“ST” indicates the product is a LED Street Light;

“A00” indicates the voltage of the product;

“20” indicates the power of the product, it can be 20,30,40,50,60,65W;

“Y” indicates the colour temperature of the product. “Y” can be N=3000K, M=3500K, L=4000K, K=4500K, C=5000K, H=5700K represents color temperature;

Where “XX” represent light angle, it can be T I, T II, T III, T IV, T V;

“A” indicates the shape size.

Specification

Power	70W	80W	90W	100W	120W	130W
Input Voltage (V)	100-240VAC					
PF	>0.95					
CRI	70	80	70	80	70	80
Efficacy (lm/W)±5%	190	180	190	180	190	180
Lumen Output±5%	13300	12600	15200	14400	17100	16200
CCT (K)	3000K/3500K/4000K/4500K/5000K/5700K					
Dimming	Non-Dimming/1-10V Dimming					
Socket	ZHAGA/NEMA 7-pin (optional)					
Beam Angle	TYPE II					
Material	Die-Cast + PC					
Operating Temperature	-40°C~45°C					
Humidity	10%~90%					
Installation	POLE - Φ60					
LED Type	5050					
Power Supply	SOSEN					
Surge Protection	4kV line-line, 6kV line-earth					
Certification	ENEC/CB/CE / RoHS					
IP Rate	IP65					
Warranty	5 Years					

Packing

Model No.	Power	Size (mm)	Carton Size (mm)	G.W / 1PCS±0.2KG
SA-STA00-70Y-XX-A	70W	L584*W245*H77mm	L625*W280*H130mm	4.8KG
SA-STA00-80Y-XX-A	80W	L584*W245*H77mm	L625*W280*H130mm	4.8KG
SA-STA00-90Y-XX-A	90W	L584*W245*H77mm	L625*W280*H130mm	5.0KG
SA-STA00-100Y-XX-A	100W	L584*W245*H77mm	L625*W280*H130mm	5.0KG
SA-STA00-120Y-XX-A	120W	L584*W245*H77mm	L625*W280*H130mm	5.2KG
SA-STA00-130Y-XX-A	130W	L584*W245*H77mm	L625*W280*H130mm	5.2KG

Description:

Model name description: SA-STA00-70Y-XX-A

“SA” indicates the name of company producing the product;

“ST” indicates the product is a LED Street Light;

“A00” indicates the voltage of the product;

“70” indicates the power of the product, it can be 70, 80, 90, 100, 120, 130W;

“Y” indicates the colour temperature of the product. “Y” can be N=3000K, M=3500K, L=4000K, K=4500K, C=5000K, H=5700K represents color temperature;

Where “XX” represent light angle, it can be T I, T II, T III, T IV, T V;

“A” indicates the shape size.

Specification

Power	150W		200W		240W	
Input Voltage (V)	100-240VAC					
PF	>0.95					
CRI	70	80	70	80	70	80
Efficacy (lm/W)±5%	190	180	190	180	190	180
Lumen Output±5%	28500	27000	38000	36000	45600	43200
CCT (K)	3000K/3500K/4000K/4500K/5000K/5700K					
Dimming	Non-Dimming/1-10V Dimming					
Socket	ZHAGA/NEMA 7-pin (optional)					
Beam Angle	TYPE II					
Material	Die-Cast + PC					
Operating Temperature	-40°C~45°C					
Humidity	10%~90%					
Installation	POLE - Φ60					
LED Type	5050					
Power Supply	SOSEN					
Surge Protection	4kV line-line, 6kV line-earth					
Certification	ENEC/CB/CE / RoHS					
IP Rate	IP65					
Warranty	5 Years					

Packing

Model No.	Power	Size (mm)	Carton Size (mm)	G.W / 1PCS±0.2KG
SA-STA00-150Y-XX-A	150W	L750*W306*H77mm	L790*W335*H130mm	6.5KG
SA-STA00-200Y-XX-A	200W	L750*W306*H77mm	L790*W335*H130mm	6.6KG
SA-STA00-240Y-XX-A	240W	L750*W306*H77mm	L790*W335*H130mm	6.7KG

Description:

Model name description: SA-STA00-150Y-XX-A

“SA” indicates the name of company producing the product;

“ST” indicates the product is a LED Street Light;

“A00” indicates the voltage of the product;

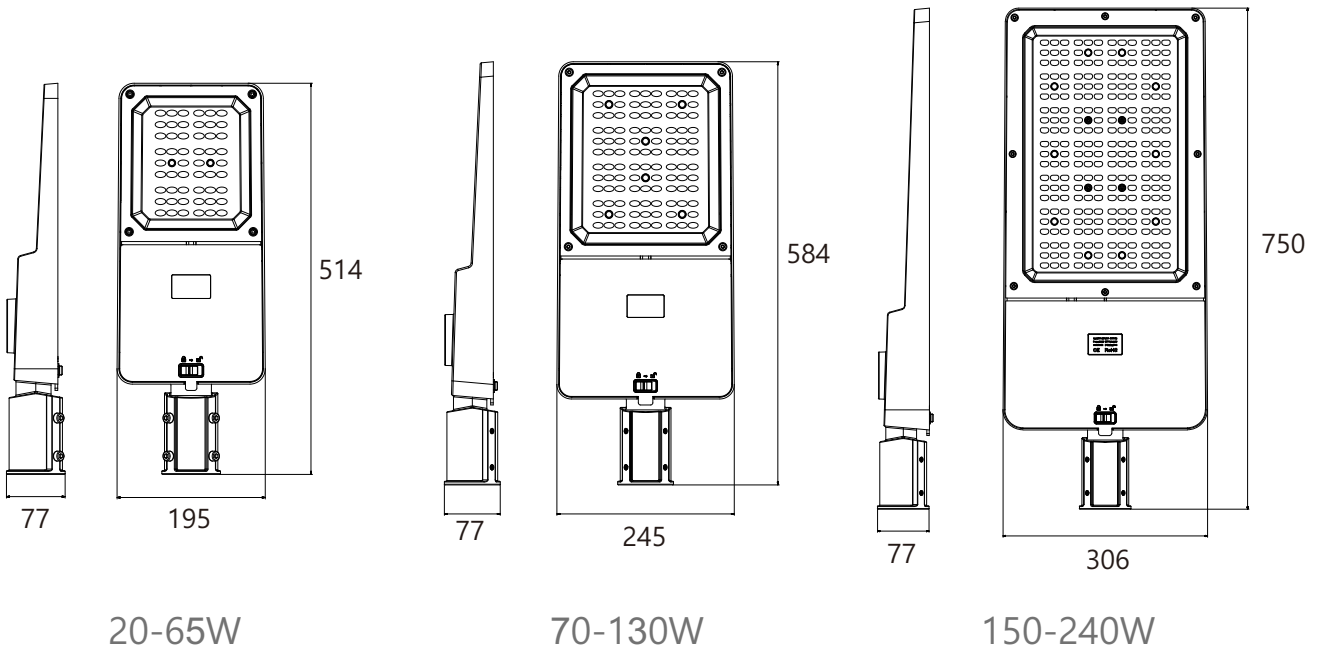
“150” indicates the power of the product, it can be 150,200,240W;

“Y” indicates the colour temperature of the product. “Y” can be N=3000K,M=3500K,L=4000K,K=4500K,C=5000K,H=5700K represents color temperature;

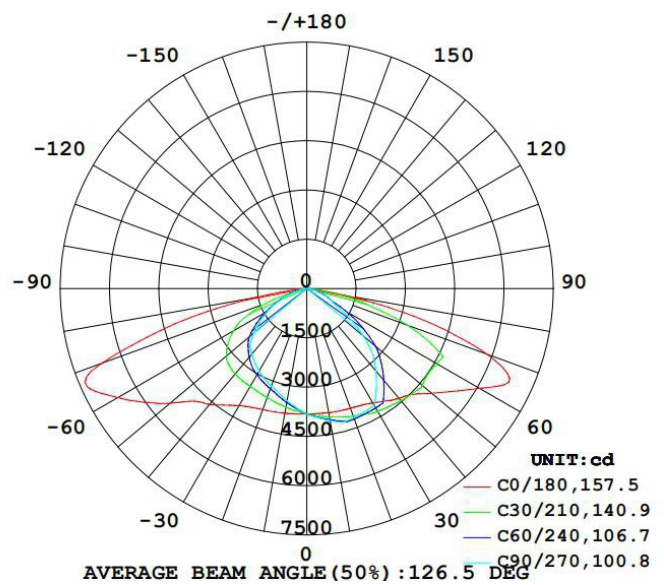
Where “XX” represent light angle, it can be T I, T II, T III, T IV, T V;

“A” indicates the shape size.

Dimensions



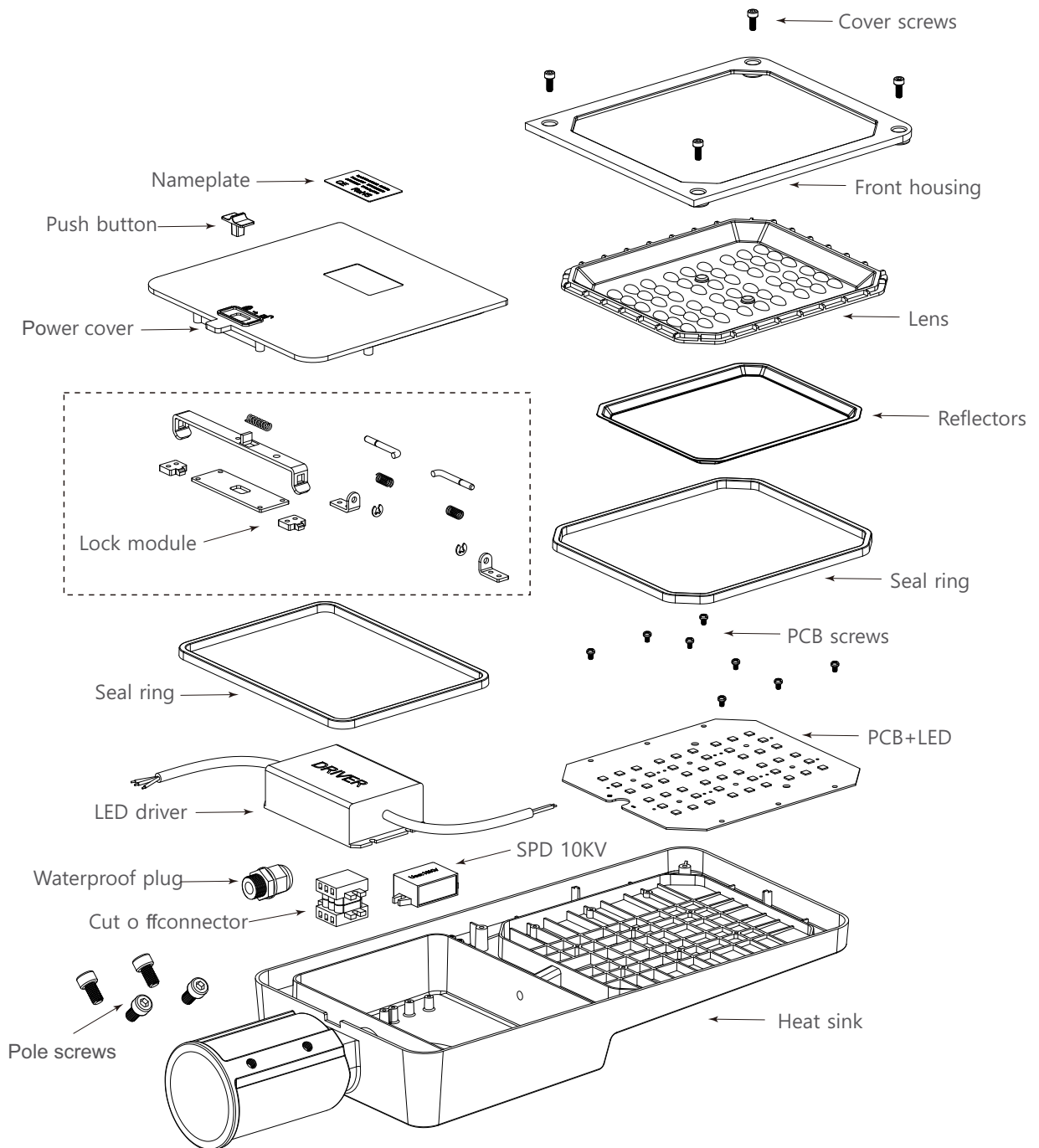
Beam angle



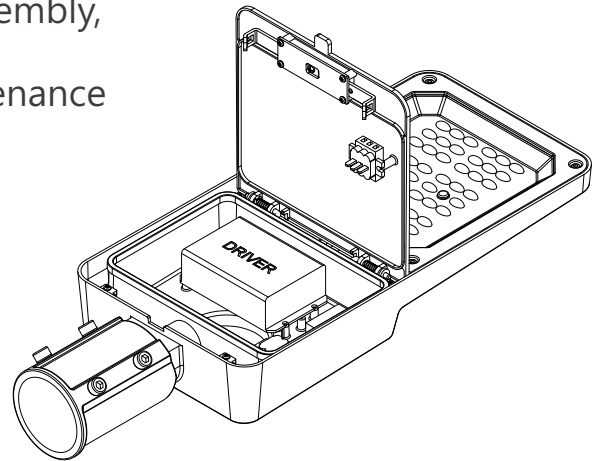
Structure Performance

Housing:	Die-Cast
Cover:	PC
Cable Length:	400mm
IP Rate:	IP 65
IK Rate:	IK 10

Structure drawing



The cavity of driver is designed into ingenious structure for quick assembly and disassembly, which is very convenient to later maintenance and driver replacement.

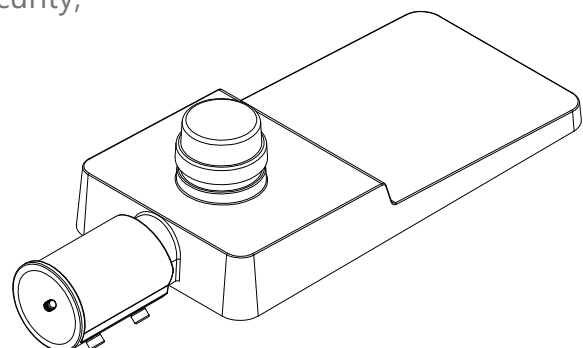


Day-Night Automatic Street Light with Photocontrol

- Turn-On Light Level: 10 Lux or at customer's request
- Turn-Off Light Level: 30 Lux or at customer's request

Smart City Road Lighting Lora/Zigbee Control System

- Measuring Current, Voltage, Power; Power Consumption detection function;
- One way switch and 0~10V dimming signal output;
- Monitor the working status of lamps and lanterns, anomaly outputs alarm;
- Single lamp custom group control;
- Local timing, latitude and longitude control functions;
- Over-current protection, lamps condition detection and default lighting functions;
- Overload protection design for ensuring security;



Various Installation Methods With Different Adapters

