

LED Street Light

185lm/w



# Street Light B Series

**5 Years Warranty**



CE RoHS



## Specification

Power	30W	50W	60W	70W	80W	100W
Input Voltage (V)	100-240VAC					
PF	>0.95					
CRI	70	80	70	80	70	80
Efficacy (lm/W)±5%	185	180	185	180	185	180
Lumen Output±5%	5550	5400	9250	9000	11100	10800
CCT (K)	3000K/3500K/4000K/4500K/5000K/5700K/6000K					
Dimming	Non-Dimming/ 0-10V Dimming					
Intelligent Control	Photocell/DALI Control					
Beam Angle	Type I / Type II / Type III / Type IV / Type V					
Material	Die-Cast + PC+Glass					
Operating Temperature	-40°C ~ +45°C					
Humidity	10%~90%					
Installation	POLE- φ 48mm		POLE- φ 60mm		POLE- φ 76mm	
LED Type	5050					
Power Supply	SOSEN					
Surge Protection	4kV line-line, 6kV line-earth					
Certification	CB/ENEC/TUV/RoHS					
IP Rate	IP 66					
Warranty	5 Years					

## Packing

Model No.	Power	Size (mm)	Carton Size (mm)	G.W / 1PCS±0.2KG
SA-STA00-30Y-XX-B	30W	L620*W230*H110	L665*W280*H170	4.7
SA-STA00-50Y-XX-B	50W	L620*W230*H110	L665*W280*H170	4.7
SA-STA00-60Y-XX-B	60W	L690*W270*H110	L740*W320*H170	6.3
SA-STA00-70Y-XX-B	70W	L690*W270*H110	L740*W320*H170	6.3
SA-STA00-80Y-XX-B	80W	L690*W270*H110	L740*W320*H170	6.3
SA-STA00-100Y-XX-B	100W	L690*W270*H110	L740*W320*H170	6.3

## Description:

Model name description: SA-STA00-100Y-XX-B

"SA" indicates the name of company producing the product;

"ST" indicates the product is a LED Street Light;

"A00" indicates the voltage of the product;

"100" indicates the power of the product, it can be 30、50、60、70、80、100、120、150、200、240W;

"Y" indicates the colour temperature of the product. "Y" can be N=3000K, M=3500K, L=4000K, K=4500K, C=5000K, H=5700K, W=6000K; represent colour temperature;

Where "XX" represent light angle, it can be TI, TII, TIII, TIV, TV;

"B" indicates the shape size.

T I, T II, T III, T IV;

## Specification

Power	120W		150W		200W		240W	
Input Voltage (V)	100-240VAC							
PF	>0.95							
CRI	70	80	70	80	70	80	70	80
Efficacy (lm/W)±5%	185	180	185	180	185	180	185	180
Lumen Output±5%	22200	21600	27750	27000	37000	36000	44400	43200
CCT (K)	3000K/3500K/4000K/4500K/5000K/5700K/6000K							
Dimming	Non-Dimming/ 0-10V Dimming							
Intelligent Control	Photocell/DALI Control							
Beam Angle	Type I / Type II / Type III / Type IV / Type V							
Material	Die-Cast + PC+Glass							
Operating Temperature	-40°C ~ +45°C							
Humidity	10%~90%							
Installation	POLE- φ 48mm		POLE- φ 60mm		POLE- φ 76mm			
LED Type	5050							
Power Supply	SOSEN							
Surge Protection	4kV line-line, 6kV line-earth							
Certification	CB/ENEC/TUV/RoHS							
IP Rate	IP 66							
Warranty	5 Years							

## Packing

Model No.	Power	Size (mm)	Carton Size (mm)	G.W / 1PCS±0.2KG
SA-STA00-120Y-XX-B	120W	L745*W310*H110	L800*W360*H170	7.8
SA-STA00-150Y-XX-B	150W	L745*W310*H110	L800*W360*H170	7.8
SA-STA00-200Y-XX-B	200W	L845*W310*H110	L900*W360*H170	9.1
SA-STA00-240Y-XX-B	240W	L845*W310*H110	L900*W360*H170	9.1

## Description:

Model name description: SA-STA00-100Y-XX-B

"SA" indicates the name of company producing the product;

"ST" indicates the product is a LED Street Light;

"A00" indicates the voltage of the product;

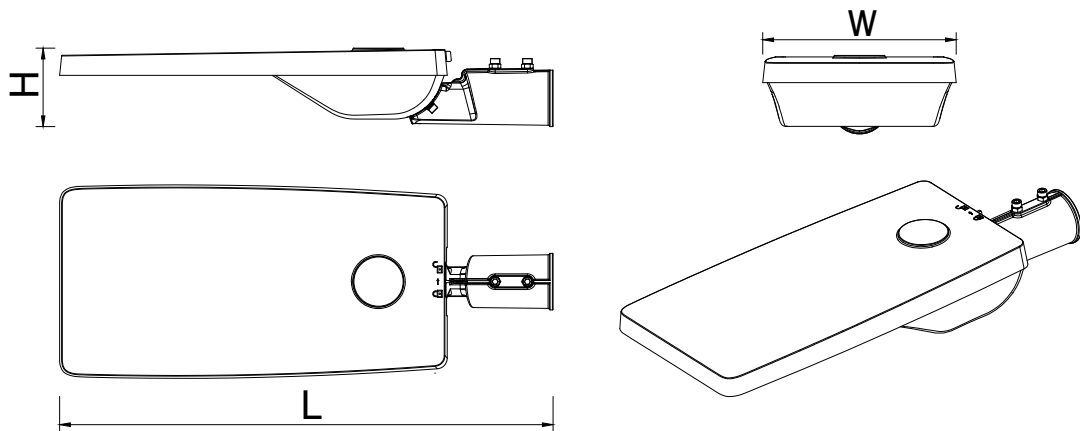
"100" indicates the power of the product, it can be 30、50、60、70、80、100、120、150、200、240W;

"Y" indicates the colour temperature of the product. "Y" can be N=3000K, M=3500K, L=4000K, K=4500K, C=5000K, H=5700K, W=6000K; represent colour temperature;

Where "XX" represent light angle, it can be TI, TII, TIII, TIV, TV;

"B" indicates the shape size.

## Dimensions



Model	SA-STA00 -30Y-XX-B	SA-STA00 -50Y-XX-B	SA-STA00 -60Y-XX-B	SA-STA00 -70Y-XX-B	SA-STA00 -80Y-XX-B	SA-STA00 -100Y-XX-B	SA-STA00 -120Y-XX-B	SA-STA00 -150Y-XX-B	SA-STA00 -200Y-XX-B	SA-STA00 -240Y-XX-B
Watt(W)	30	50	60	70	80	100	120	150	200	240
Length(mm)	620(24.41In.)		690( 27.17In. )				745(29.33In.)		845(33.27In.)	
Width(mm)	230(9.06In.)		270(10.63In.)				310(12.2In.)		310(12.2In.)	
Height(mm)	110(4.33In.)		110(4.33In.)				110(4.33In.)		110(4.33In.)	

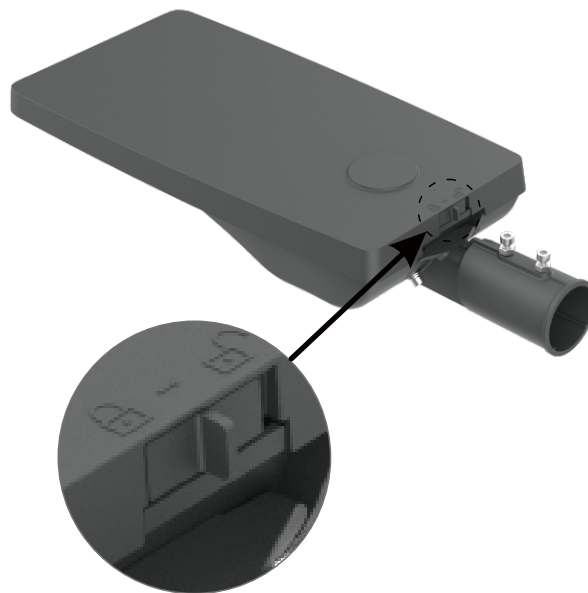
## Structure Performance

Housing	Die-Cast
Cover	Glass
Cable Length	400mm
IP Rating	IP 66
IK Rating	IK 10

## Smart Structure Free-tool Maintenance

It is separated by two parts. There is a button at the roof cover, push it and unlock the driver.

With this smart structure, only one person can finish it without any tools in one minute to maintain.



### Beam angle

Adjustable beam angle  $-5^{\circ} \sim +15^{\circ}$

Note: other angles can be customized according to road needs.

