

LED High Bay Light

170LM/W

UFO09 80W-200W

SPECIFICATIONS



5 Years Warranty

CE RoHS

Specification

| Model | SA-UFOA00-80W | SA-UFOA00-100W | SA-UFOA00-120W | SA-UFOA00-150W | SA-UFOA00-200W |
|-----------------------|-------------------------------------|----------------|----------------|----------------|----------------|
| PF | >0.95 | | | | |
| Input Voltage (V) | 200-240VAC | | | | |
| CRI | Ra70 | Ra80 | Ra70 | Ra80 | Ra70 |
| Efficacy (lm/W)±5% | 170 | 160 | 170 | 160 | 170 |
| Lumen output±5% | 13600 | 12800 | 17000 | 16000 | 20400 |
| CCT (K) | 3000K/3500K/4000K/4500K/5000K/5700K | | | | |
| Dimming | Non-Dimming/0~10V Dimming | | | | |
| Beam angle | 60°/90°/120° | | | | |
| Material | Body Aluminum+ PC Lens | | | | |
| Operating Temperature | -30°C to 45°C | | | | |
| Humidity | 10% - 90% | | | | |
| Installation | Ring Mounted/Bracket Mounted | | | | |
| LED Type | SMD2835 | | | | |
| Power Supply | Stronglumen/Lifud/Fahold | | | | |
| Surge Protection | 4KV line-line,6KVline-earth | | | | |
| Certification | CE/RoHS | | | | |
| IP Rate | IP65 | | | | |
| Warranty | 5 Years | | | | |

SA-UFOA00-XXXY-XXXX-B-Z

| SA-UFO | A00 | XXX | Y | XXXX | B | Z |
|--------|----------|-------------------------------------|--|--|------------------------------|---|
| Series | Voltage | Power | CCT | Lens | Versions | Control |
| SA-UFO | 200-240V | 80W 100W 120W 150W 200W | N 3000K M 3500K L 4000K K 4500K C 5000K H 5700K | R060 Lens 60° R090 Lens 90° R120 Lens 120° | "B" The second generation | Motion Sensor/ Power selectable/ Power & CCT selectable |

Description:

Model name description: SA-UFOA00-200Y-RXXX-B.

"SA" indicates the name of company producing the product;

"UFO" indicates the product is a LED High Bay;

"A00" indicates the voltage of the product;

"200" indicates the power of the product;

"Y" indicates the colour temperature of the product ;

Where the "Y" can be N=3000K, M=3500K, L=4000K, K=4500K, C=5000K, H=5700K represents color temperature;

Where XXXX represent light angle, it can be R060,R090,R120;

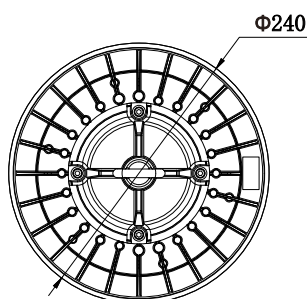
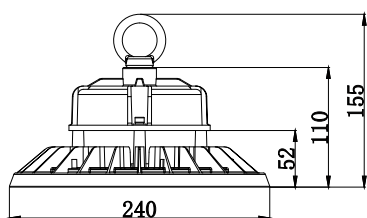
"B" indicates the shape size;

"Z" indicates the Intelligent Control,Where the"Z" can be D=Power selectable,DD=Power & CCT selectable, M=Motion Sensor.

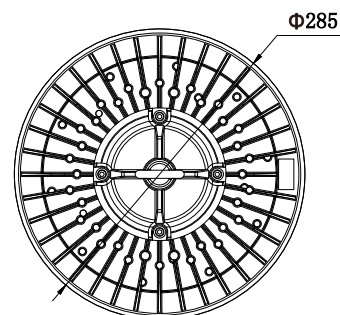
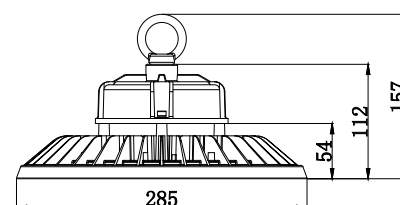
Packing

| Model No. | Power | Size(mm) | Carton Size(mm) | G.W/1PCS±0.2KG |
|-----------------------|-------|-----------|-----------------|----------------|
| SA-UFOA00-80Y-XXXX-B | 80W | Φ240xH155 | L290xW290xH160 | 2.0KG |
| SA-UFOA00-100Y-XXXX-B | 100W | Φ240xH155 | L290xW290xH160 | 2.0KG |
| SA-UFOA00-120Y-XXXX-B | 120W | Φ285xH157 | L335xW335xH165 | 2.6KG |
| SA-UFOA00-150Y-XXXX-B | 150W | Φ285xH157 | L335xW335xH165 | 2.6KG |
| SA-UFOA00-200Y-XXXX-B | 200W | Φ325xH160 | L375xW375xH170 | 3.2KG |

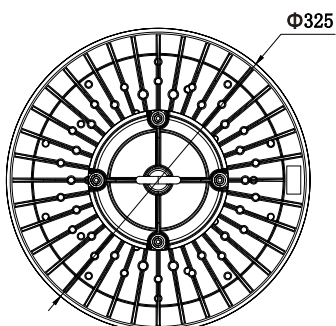
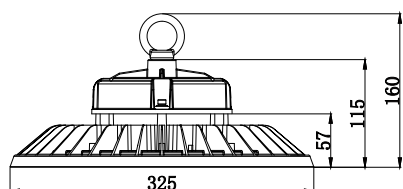
Dimensions(unit: mm)



80-100W



120/150W

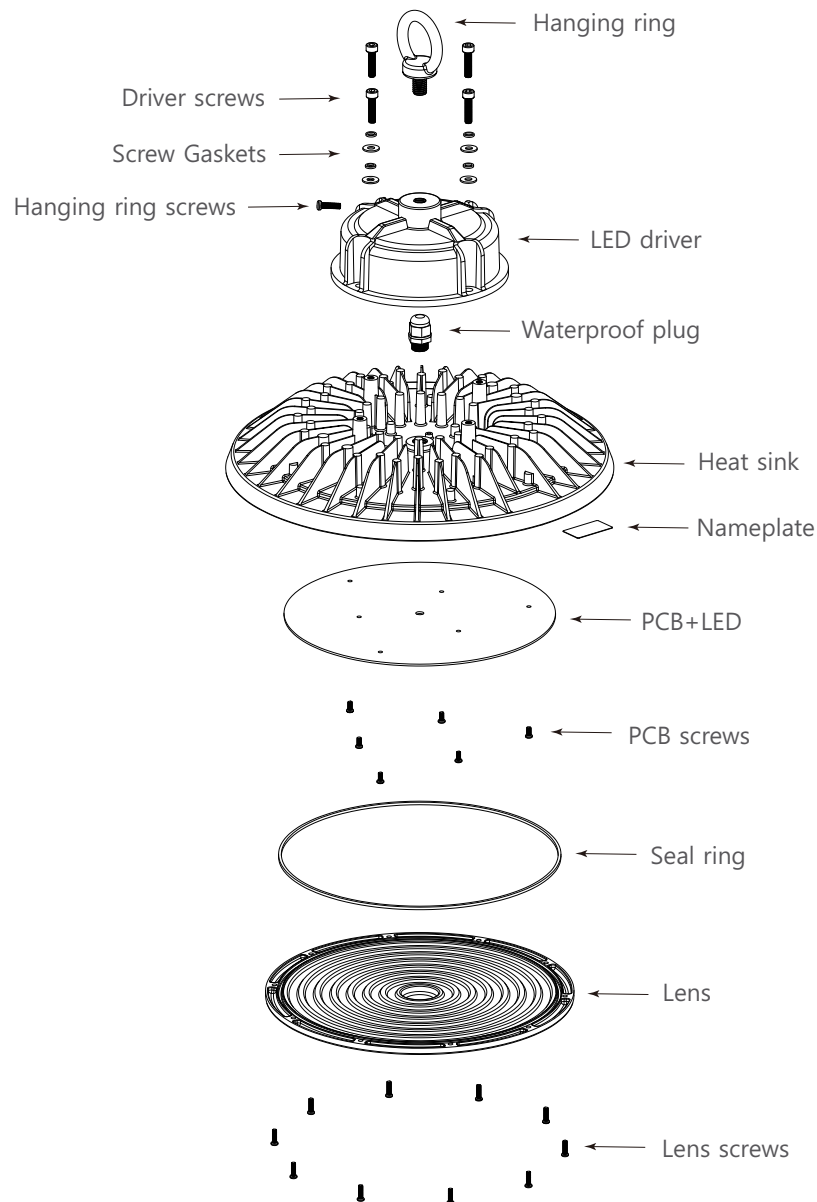


200W

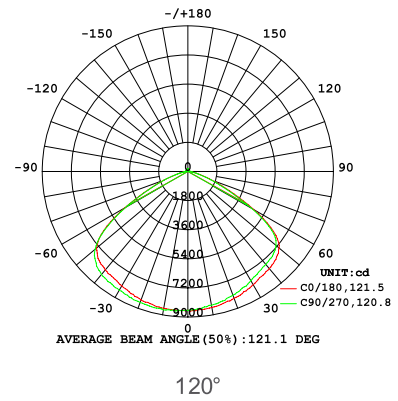
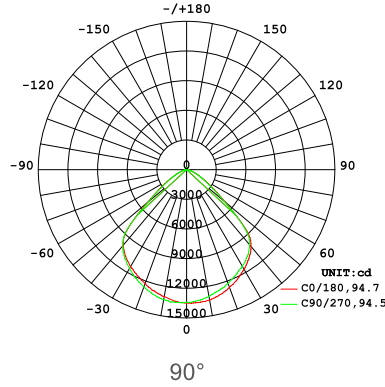
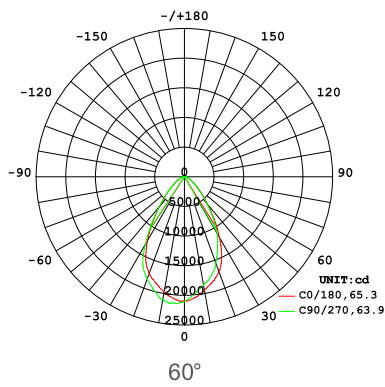
Structure Performance

| | |
|----------------------|-------------------------------|
| Dimension: LxHxW(mm) | Φ240xH155/Φ285xH157/Φ325xH160 |
| Housing: | Aluminum |
| Cover: | PC Lens |
| Cable Length: | 300mm |
| IP Rate: | IP 65 |
| IK Rate: | IK 10 |

Structure drawing

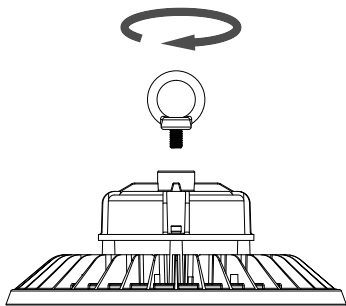


Beam angle

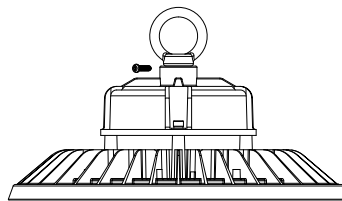


Installation

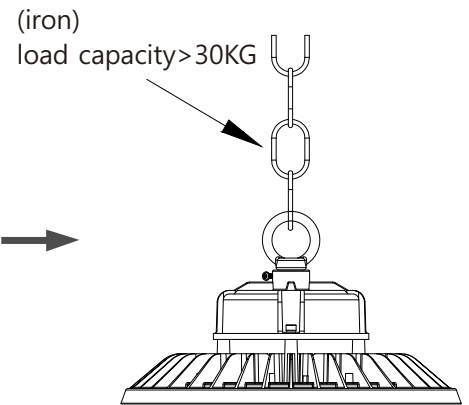
1-Ring mounted



① Lock ring

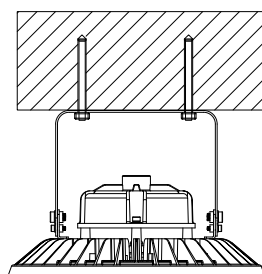
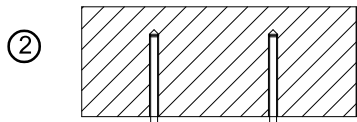
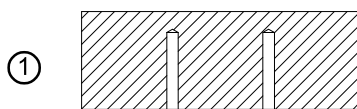


② Tighten the screw fix the ring

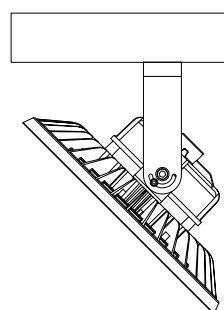


③ Hang on the hook

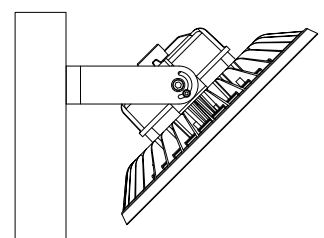
2-Bracket mounted



① a



② b



③ c